



Engineered for the future, built on experience

## We offer

- Mobile Crane Hire
- Contract Lifting
- Specialist Transport
- Machinery Removals & Installation
- Mini Crawler Cranes

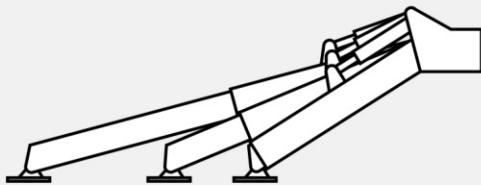
## Unic URW-376

## Specification

<b>Capacity</b>	2.9t x 2.5m
<b>Max. working radius</b>	14.45m
<b>Max. lifting height</b>	Approx. 14.9m (16.63m with fly jib, 17.33 with fixed hook)
<b>Max. rope length</b>	18.29m (4 fall), 37.89m (2 fall), 77.07m (1 fall)
<b>Dimensions folded</b>	L 4340 x W 1300 x H 1800mm
<b>Weight unladen</b>	3850kg (4000kg with electric option)
<b>Point loadings</b>	Available on request
<b>Hook speed</b>	Approx. 17m/min (with 4 layers and 4 falls)
<b>Telescopic system</b>	<b>Boom length:</b> 3.63 - 14.61m <b>Telescoping speed:</b> 10.98m/23 secs <b>Boom type:</b> 6 section hydraulically telescoping boom, hexagonal box construction
<b>Derricking angle/speed</b>	Approx. 0-80°/10 secs
<b>Slewing angle/speed</b>	360° (continuous) 2.5min rpm
<b>Traction system</b>	<b>Drive:</b> Hydrostatic 2-speed, stepless forward and reverse <b>Travel speed:</b> 0-3km/h <b>Gradeability:</b> ± 20° (vertical) 20° (traverse) <b>Track ground length:</b> 1750mm <b>Track ground pressure:</b> 36kPa (0.37kg/cm <sup>2</sup> ) <b>Track width:</b> 300mm

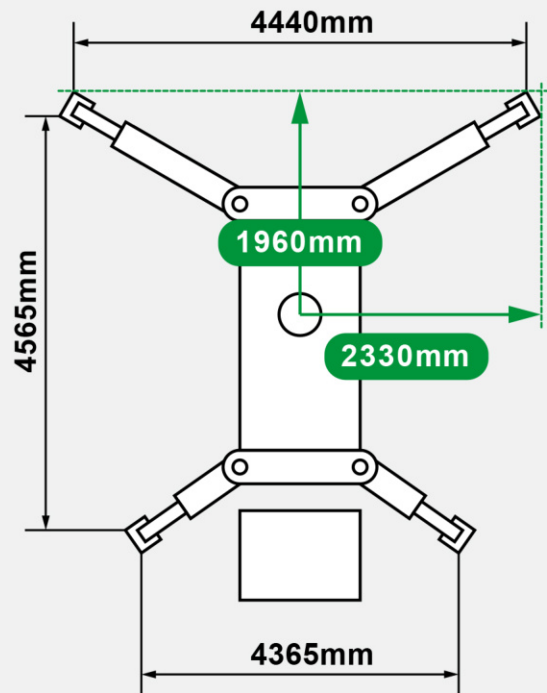
<b>Engine</b>	<b>Manufacturer:</b> Mitsubishi/Yanmar <b>Fuel:</b> Diesel (electric dual power option) <b>Max. output:</b> 18kW (24.5PS) / 2100min rpm <b>Starting method:</b> Electric <b>Tank capacity:</b> 40 litres
<b>Electric motor</b>	<b>Power:</b> 7.5kW <b>Voltage:</b> 400v AC 50/60Hz
<b>Standard equipment</b>	Computer controlled moment limiter (safe load indicator), radio remote control, over winding alarm, computer controlled intelligent voice warning system, multi-function operation by radio remote control, intelligent throttle activation, automatic hook stow, overload warning alarms, overload warning lamps and working area limitation
<b>Optional equipment</b>	1 fall hook block, 2 fall hook block, mains electrical dual power (400v), low marking tracks, slew limitation, searcher hook small 500kg, searcher hook 700kg, fly jib 700kg with single part line, radio remote control with feedback display and data logging

## Outrigger Positions

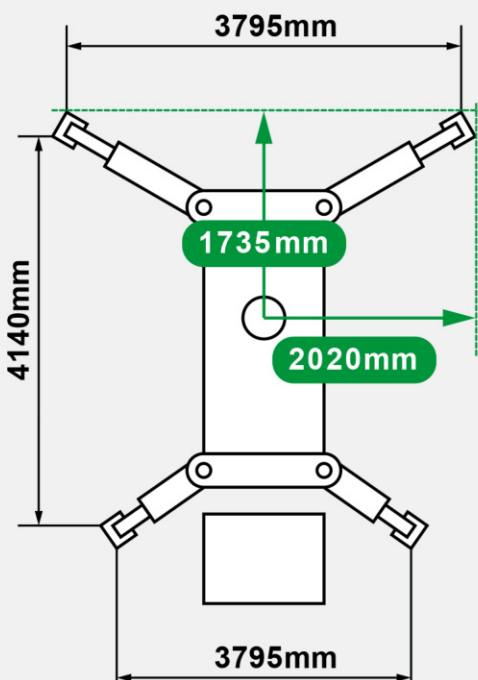


- 1
- 2
- 3

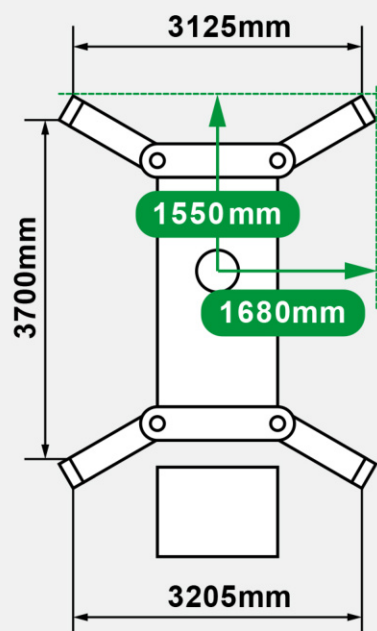
### 1 Max extended



### 2 Mid extended

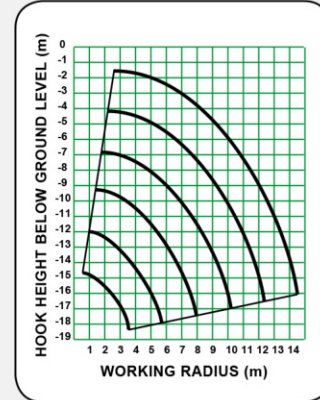
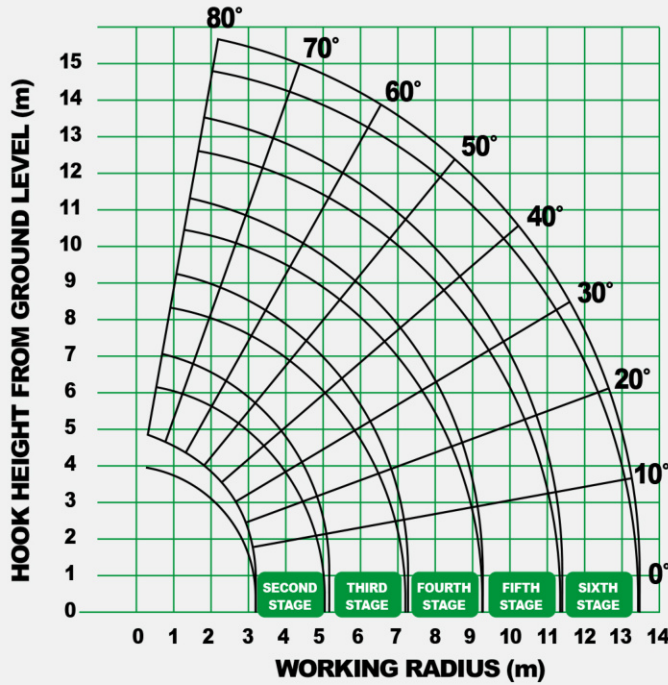


### 3 Min extended



# Unic URW-376

## Rated Loads



### SECOND STAGE

#### SECOND STAGE EXTENDED – 3.63 - 5.85m Boom length

Working Radius	m	up to 2.0	2.5	3.0	3.5	4.0	4.5	5.0	5.69
Outrigger	Max-extended	kg 2,900	2,900	2,350	1,950	1,670	1,450	1,300	1,070
	Mid-extended	kg 2,900	2,900	2,320	1,920	1,570	1,250	990	770
	Min-extended	kg 2,900	2,900	2,170	1,500	1,120	900	720	470

### THIRD STAGE

#### THIRD STAGE EXTENDED – 5.85 - 8.04m Boom length

Working Radius	m	up to 2.7	3.0	3.5	4.0	4.5	5.0	5.5	6.0	7.0	7.88
Outrigger	Max-extended	kg 2,240	2,090	1,650	1,400	1,220	1,070	950	840	690	590
	Mid-extended	kg 2,240	2,060	1,650	1,390	1,170	1,000	820	640	450	370
	Min-extended	kg 2,240	2,060	1,570	1,220	1,020	830	650	510	300	190

### FOURTH STAGE

#### FOURTH STAGE EXTENDED – 8.04 - 10.23m Boom length

Working Radius	m	up to 4.0	4.5	5.0	6.0	7.0	8.0	9.0	10.0	10.07
Outrigger	Max-extended	kg 1,040	930	840	730	620	520	470	380	
	Mid-extended	kg 1,030	920	830	670	500	380	280	200	
	Min-extended	kg 1,030	820	640	470	310	220	130	90	

### FIFTH STAGE

#### FIFTH STAGE EXTENDED – 10.23 - 12.42m Boom length

Working Radius	m	up to 4.5	5.0	6.0	7.0	8.0	9.0	10.0	11.0	12.26
Outrigger	Max-extended	kg 750	620	480	390	340	300	270	240	230
	Mid-extended	kg 750	620	470	390	320	270	220	170	130
	Min-extended	kg 750	620	400	250	180	130	90	60	10

### SIXTH STAGE

#### SIXTH STAGE EXTENDED – 12.42 - 14.61m Boom length

Working Radius	m	up to 4.9	5.5	6.0	7.0	8.0	9.0	10.0	11.0	12.0	13.0	14.45
Outrigger	Max-extended	kg 300	270	250	220	200	180	160	140	130	110	100
	Mid-extended	kg 300	270	250	220	200	180	160	120	90	60	40
	Min-extended	kg 300	270	250	220	170	110	80	50	30	20	10