



**6T**

## Giant metal arm reaching for the sky

### We offer

- Mobile Crane Hire
- Contract Lifting
- Specialist Transport
- Machinery Removals & Installation
- Mini Crawler Cranes

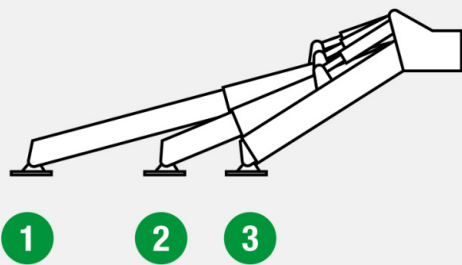
## Specification

<b>Capacity</b>	6.0t x 3.0m
<b>Max. working radius</b>	18.6m
<b>Max. lifting height</b>	19.5m (22.7m with second stage manual fly jib)
<b>Max. rope length</b>	23.75m (4 fall), 49.5m (2 fall), 101m (1 fall)
<b>Dimensions folded</b>	L 5610 x W 1670 x H 2185mm
<b>Weight unladen</b>	7920kg + 160kg (8080kg with electric option) + 230kg (8310kg with searcher hook and fly jib attached)
<b>Point loadings</b>	Available on request
<b>Hook speed</b>	11m/min (with 5 layers and 4 falls)
<b>Telescopic system</b>	<b>Boom length:</b> 4.80 - 19.20m <b>Telescoping speed:</b> 14.4m/52 secs <b>Boom type:</b> 6 section hydraulically telescoping boom, hexagonal box construction
<b>Derricking angle/speed</b>	Approx. 0-80°/16 secs
<b>Slewing angle/speed</b>	360° (continuous) 2.5min rpm
<b>Traction system</b>	<b>Drive:</b> Hydrostatic 2-speed, stepless forward and reverse <b>Travel speed:</b> 0-2.9km/h <b>Gradeability:</b> ± 20° (vertical) 20° (traverse) <b>Track ground length:</b> 2240mm <b>Track ground pressure:</b> 43.6kPa (0.44kg/cm <sup>2</sup> ) <b>Track width:</b> 400mm

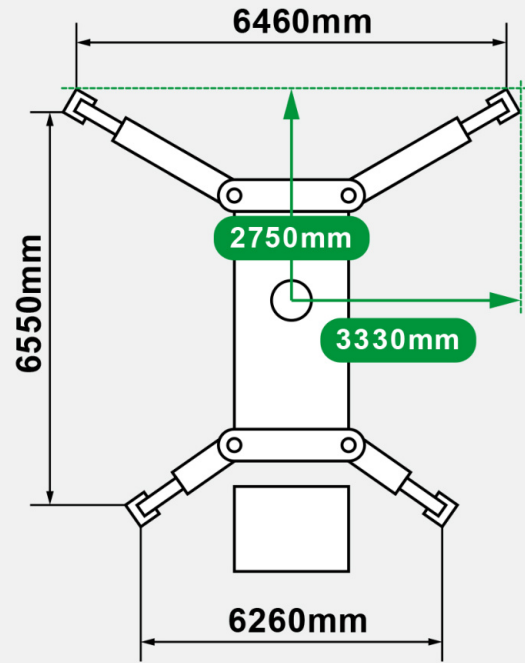
<b>Engine</b>	<b>Manufacturer:</b> Mitsubishi <b>Fuel:</b> Diesel (electric dual power option) <b>Maximum output:</b> 23.5kW (32.0PS) / 2500min rpm <b>Starting method:</b> Electric <b>Tank capacity:</b> 74 litres
<b>Electric motor</b>	<b>Power:</b> 7.5kW <b>Voltage:</b> 400v AC 50/60Hz
<b>Standard equipment</b>	Computer controlled moment limiter (safe load indicator), radio remote control, over winding alarm, computer controlled intelligent voice warning system, multi-function operation by radio remote control, intelligent throttle activation, automatic hook stow, overload warning alarms, overload warning lamps and working area limitation
<b>Optional equipment</b>	1 fall hook block, 2 fall hook block, mains electrical dual power (400v), low marking tracks, slew limitation, searcher hook 800kg, fly jib 800kg with single part line, radio remote control, 800kg capacity hydraulic fly jib (706-2), radio remote control with feedback display and data logging

# Unic URW-706

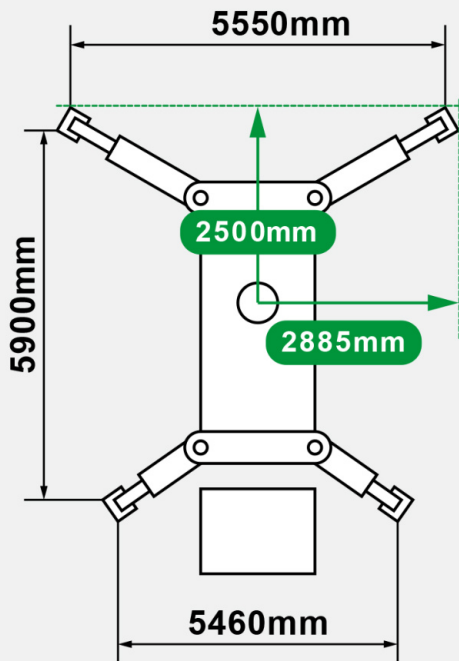
## Outrigger Positions



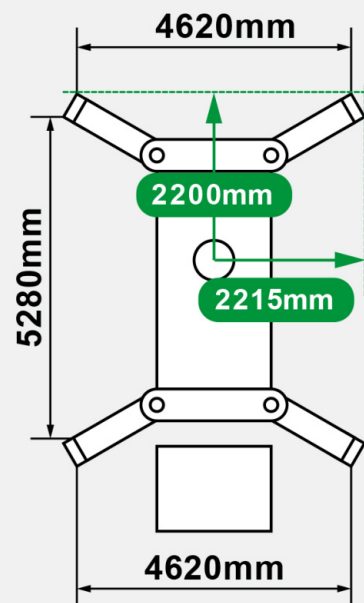
### 1 Max extended



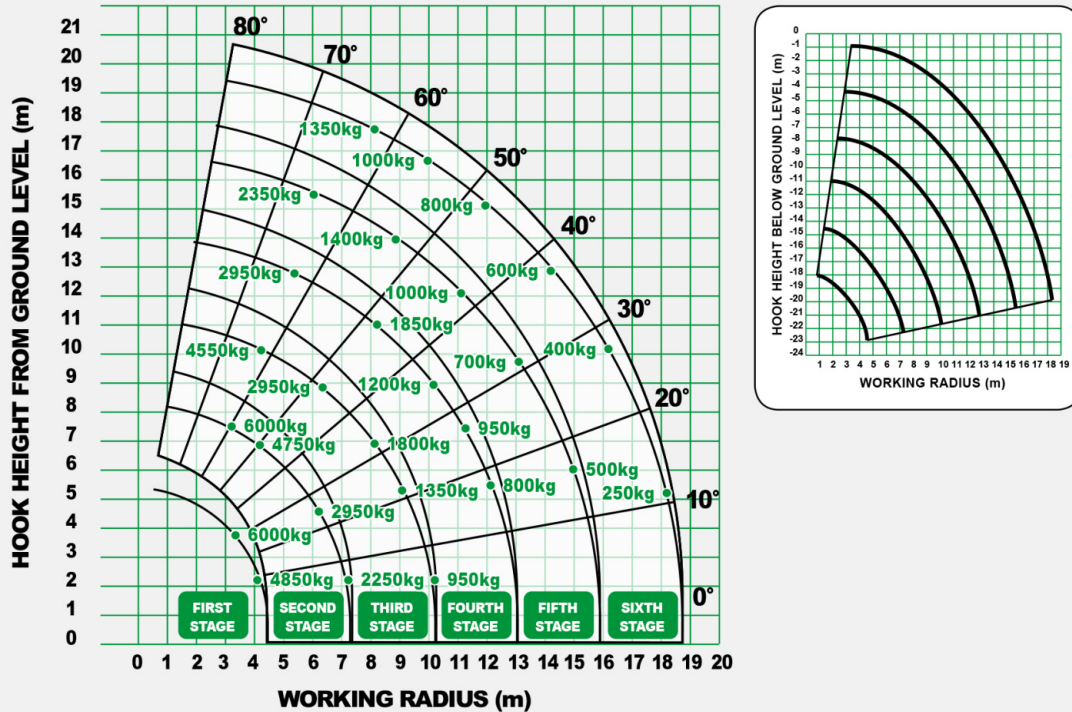
### 2 Mid extended



### 3 Min extended



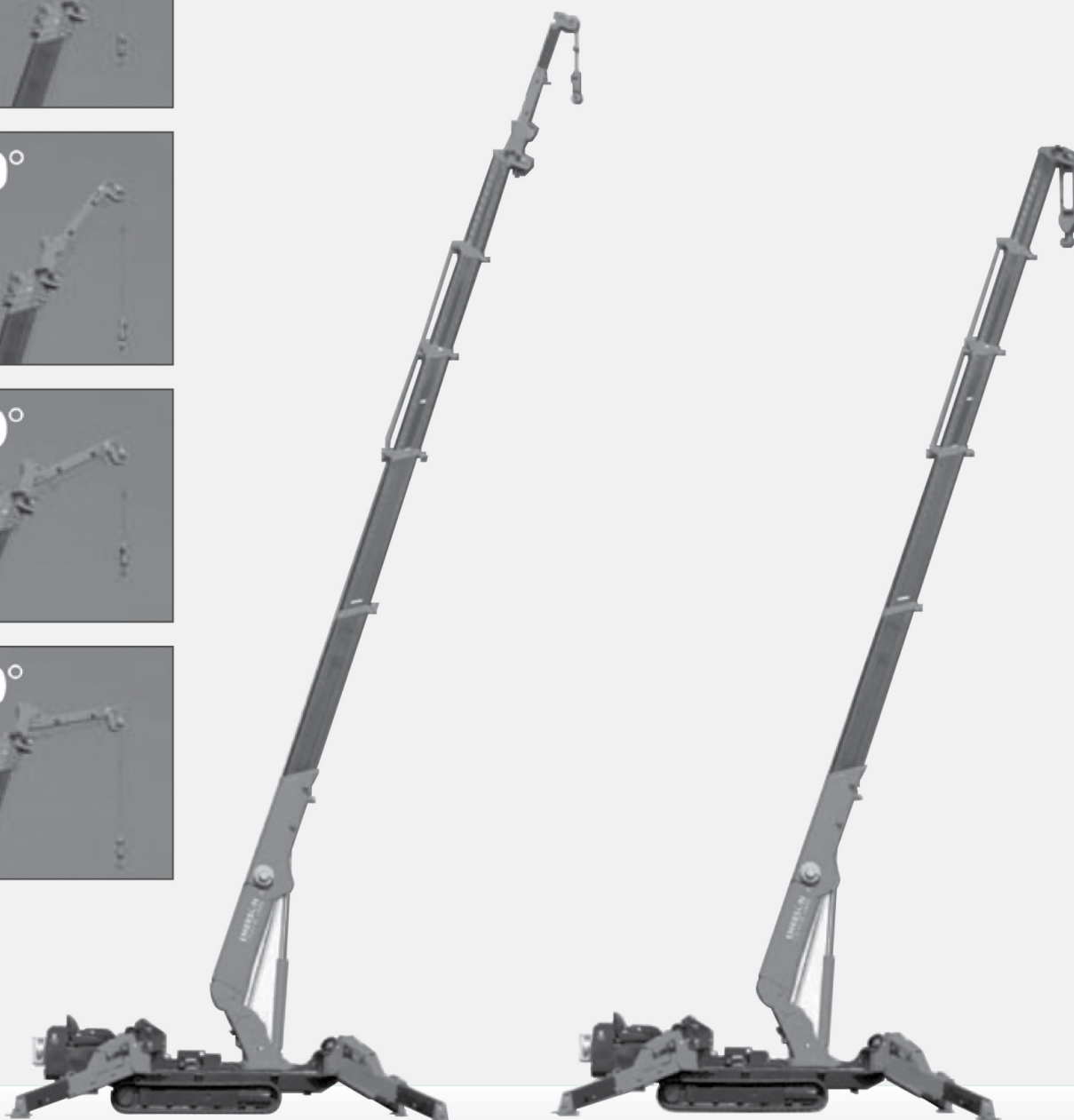
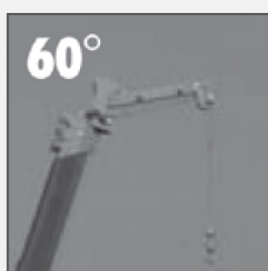
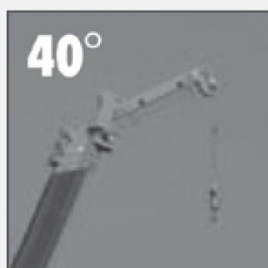
## Rated Loads



<b>FIRST STAGE</b>		<b>FIRST STAGE EXTENDED – 4.8m Boom length</b>										
<b>Working Radius</b>		<b>m</b>	<b>up to 2.7</b>	<b>3.0</b>	<b>3.5</b>	<b>4.0</b>	<b>4.3</b>					
<b>Outrigger</b>	Max-extended	kg	6,000	6,000	5,450	4,850	3,950					
	Mid-extended	kg	6,000	6,000	5,450	4,850	3,950					
	Min-extended	kg	6,000	6,000	5,450	4,550	3,750					
<b>SECOND STAGE</b>		<b>SECOND STAGE EXTENDED – 4.8 - 7.7m Boom length</b>										
<b>Working Radius</b>		<b>m</b>	<b>up to 2.0</b>	<b>3.0</b>	<b>3.5</b>	<b>4.0</b>	<b>5.0</b>	<b>6.0</b>	<b>7.0</b>	<b>7.2</b>		
<b>Outrigger</b>	Max-extended	kg	6,000	6,000	5,350	4,750	3,750	2,950	2,250	2,000		
	Mid-extended	kg	6,000	6,000	5,350	4,750	3,750	2,450	1,700	1,550		
	Min-extended	kg	6,000	6,000	5,350	4,650	2,550	1,650	1,150	1,050		
<b>THIRD STAGE</b>		<b>THIRD STAGE EXTENDED – 7.7 - 10.6m Boom length</b>										
<b>Working Radius</b>		<b>m</b>	<b>up to 2.7</b>	<b>4.0</b>	<b>5.0</b>	<b>6.0</b>	<b>7.0</b>	<b>8.0</b>	<b>9.0</b>	<b>10.0</b>	<b>10.1</b>	
<b>Outrigger</b>	Max-extended	kg	4,550	4,550	3,650	2,950	2,400	1,800	1,350	950	950	
	Mid-extended	kg	4,550	4,550	3,650	2,950	1,750	1,300	950	700	700	
	Min-extended	kg	4,550	4,550	2,650	1,700	1,200	850	650	450	400	
<b>FOURTH STAGE</b>		<b>FOURTH STAGE EXTENDED – 10.6 - 13.5m Boom length</b>										
<b>Working Radius</b>		<b>m</b>	<b>up to 5.0</b>	<b>6.0</b>	<b>7.0</b>	<b>8.0</b>	<b>9.0</b>	<b>10.0</b>	<b>11.0</b>	<b>12.0</b>	<b>12.9</b>	
<b>Outrigger</b>	Max-extended	kg	2,950	2,550	2,150	1,850	1,500	1,200	950	800	450	
	Mid-extended	kg	2,950	2,550	1,850	1,400	1,100	850	650	550	400	
	Min-extended	kg	2,750	1,850	1,300	1,000	750	550	430	330	240	
<b>FIFTH STAGE</b>		<b>FIFTH STAGE EXTENDED – 13.5 - 16.3m Boom length</b>										
<b>Working Radius</b>		<b>m</b>	<b>up to 6.0</b>	<b>8.0</b>	<b>9.0</b>	<b>10.0</b>	<b>11.0</b>	<b>12.0</b>	<b>13.0</b>	<b>14.0</b>	<b>15.0</b>	<b>15.8</b>
<b>Outrigger</b>	Max-extended	kg	2,350	1,700	1,400	1,200	1,000	850	700	600	500	400
	Mid-extended	kg	2,350	1,500	1,150	950	750	600	500	400	300	250
	Min-extended	kg	1,950	1,050	800	650	500	400	300	230	170	130
<b>SIXTH STAGE</b>		<b>SIXTH STAGE EXTENDED – 16.3 - 19.2m Boom length</b>										
<b>Working Radius</b>		<b>m</b>	<b>up to 8.0</b>	<b>10.0</b>	<b>12.0</b>	<b>14.0</b>	<b>16.0</b>	<b>18.0</b>	<b>18.6</b>			
<b>Outrigger</b>	Max-extended	kg	1,350	1,000	800	600	400	250	200			
	Mid-extended	kg	1,350	1,000	650	450	300	200	150			
	Min-extended	kg	1,100	700	450	280	170	90	60			

# Unic URW-706

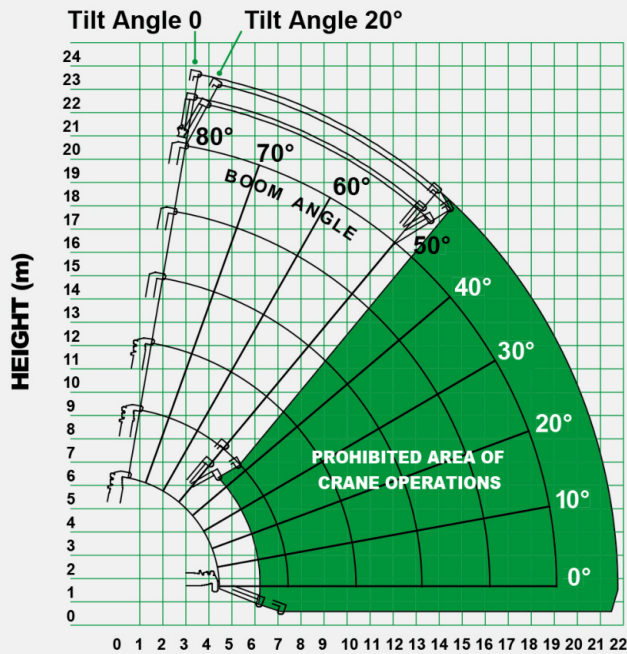
## Jib Extension & Angle



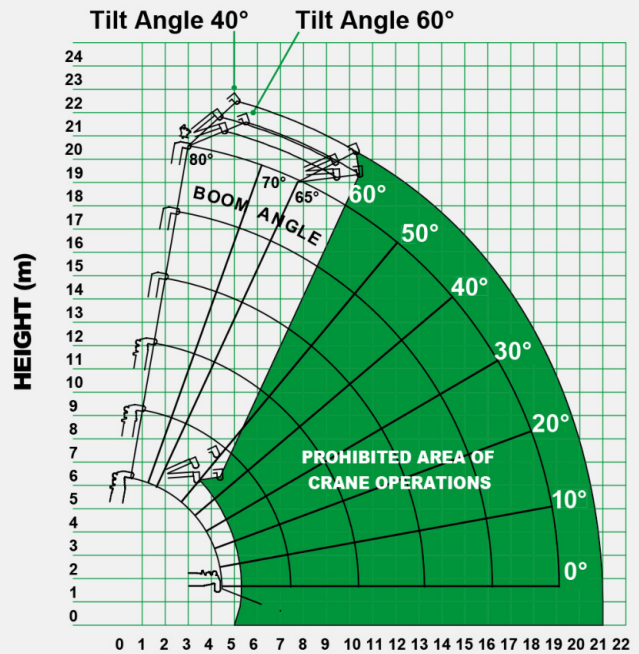
The UNIC URW-706 features an optional 3.1m long stowable fly jib, together with an optional searcher hook, providing a maximum hook height of 22.7m.

The standard UNIC URW-706 provides a maximum hook height of 19.5m.

## Optional Extension Jib – Working Loads



**WORKING RADIUS (m) Tilt Angles 0° and 20°**



**WORKING RADIUS (m) Tilt Angles 40° and 60°**

Note: The above figures are based on a no-load condition and do not include the deflection of the boom.

Angle Rated	Net Rated Loads (kg) at Extension Jib Angle			
	0°	20°	40°	60°
80°	800	800	600	600
75°	800	800	600	600
70°	700	700	500	500
65°	600	600	400	400
60°	500	500	PROHIBITED	
55°	400	400		
50°	300	300		
40°	PROHIBITED			
30°				
20°				
10°				
0°	PROHIBITED			

Radius Rated	Searcher Hook Net Rated Loads (kg)			
	Working Radius m	Outriggers Max-extended	Outriggers Mid-extended	Outriggers Min-extended
7.0	800	800	800	
8.0	800	800	610	
9.0	800	700	520	
10.0	800	550	250	
10.5	800	490	200	
11.0	650	430	160	
11.5	550	370	120	
12.0	470	310	100	
13.0	330	230	PROHIBITED	
14.0	260	150		
15.0	210	100		
16.0	170			
17.0	130			
18.0	100			
20.8	PROHIBITED			

<b>Lifting capacity</b>		800kg
<b>Jib length</b>	Retracted:	2.11m
	Extended:	3.11m
<b>Weight</b>		205kg
<b>Tilt angles</b>	Max:	0°, 20°, 40°, 60°

<b>Lifting capacity</b>	800kg
<b>Length</b>	2.21m
<b>Weight</b>	25kg (excluding bracket and first section)
<b>Tilt angles</b>	0°, 20°, 40°, 60° 0° (prohibited boom angles: 40°- 80°) 20° (prohibited boom angles: 60°- 80°) 40°,60° (operation possible with all boom angles)